

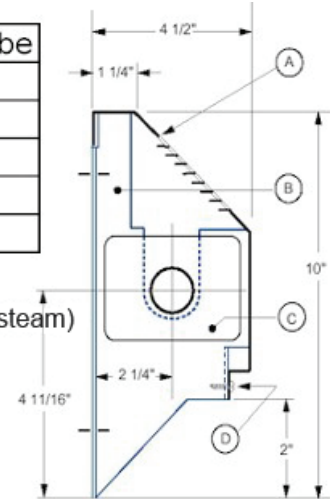
**Errata to**  
***Fundamentals of Steam System Design***  
**April 1, 2011**

**Page 2:19**—Renumber Figure 2.11 as Figure 2.12.

**Page 3:12**—Replace Figure 3.10 with the following:

Type RAF		Aluminum Fins / Copper Tube
	3 in. × 4 in.	Steam*
No.	52 Fin/Ft	Btu/h/ft
34C1	0.75 in. Dia.	15,146
34C2	1 in. Dia.	15,208
34C3	1.25 in. Dia.	15,295

\*Steam indicates Btu/h/ft at standard condition (65°F entering air and 15 psig steam)



**Figure 3.10** Capacities and dimensions of baseboard units.

**Page 4:9**—Section “Piping Connetions, paragraph four, first sentence. Minimum drop measurement should be 10 in. not 18 in.