

**ERRATA SHEET FOR
ANSI/ASHRAE STANDARD 62.1-2022
Ventilation and Acceptable Indoor Air Quality**

November 15, 2022

The corrections listed in this errata sheet apply to ANSI/ASHRAE Standard 62.1-2022. The first printing is identified on the outside back cover as “Product code: 86308 8/22”.

NOTICE: ASHRAE now has a list server for Standing Standards Project Committee 62.1 (SSPC 62.1). Interested parties can now subscribe and unsubscribe to the list server and be automatically notified via e-mail when activities and information related to the Standard is available. To sign up for the list server please visit **Project Committee List Servers** on the Standards and Guidelines section of the ASHRAE website at <https://www.ashrae.org/standards-research--technology/standards--guidelines/standards-activities/project-committee-list-servers>.

Page Erratum

- 4 **Figure 3-1 Ventilation system.** In the Occupied Space in Figure 3-1 change “Local Ventilation” to “Local Ventilation”. Revised figure attached.

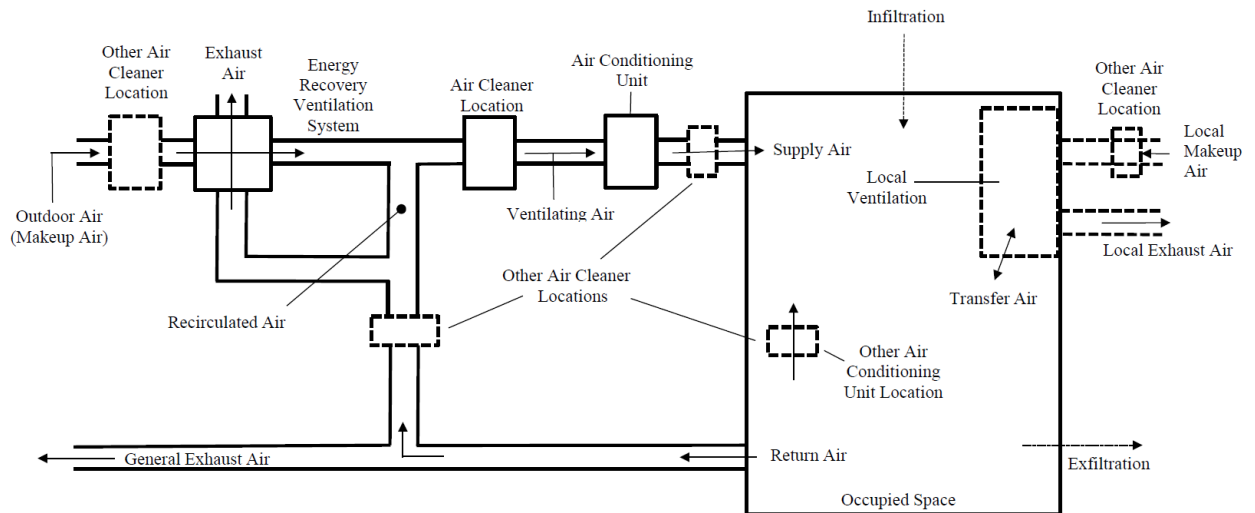


Figure 3-1 Ventilation system.